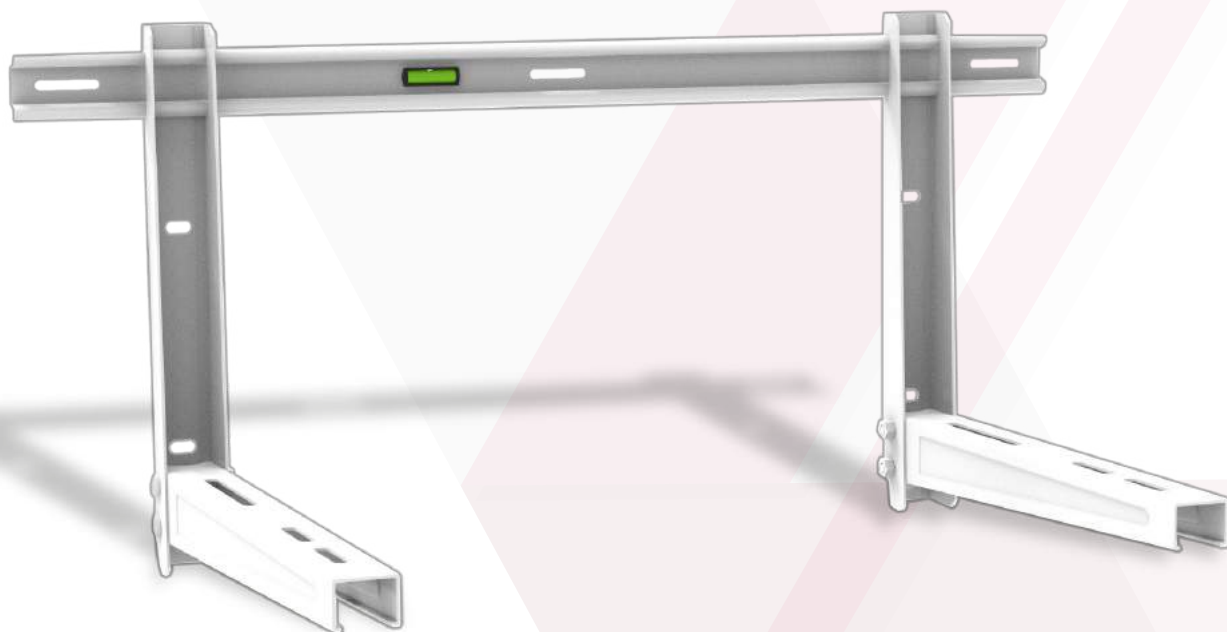
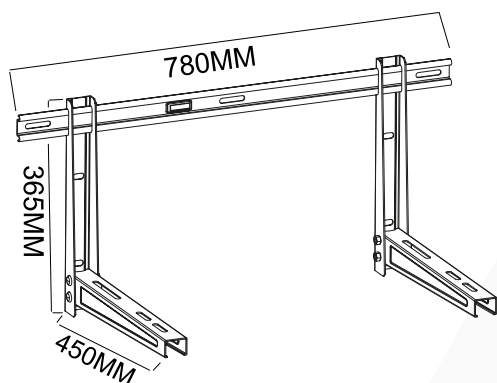


Universal wall mount for outdoor air conditioner unit



| | |
|--------------------|--------------|
| Weight | 150 Kg |
| Distance from wall | 780 mm |
| Other | Silent block |



Packaging 76 x 8 x 6 cms



Quantity
in master
carton
6 pz.



Via delle Valli, snc
04011, Aprilia (LT)
www.jollyline.it

